



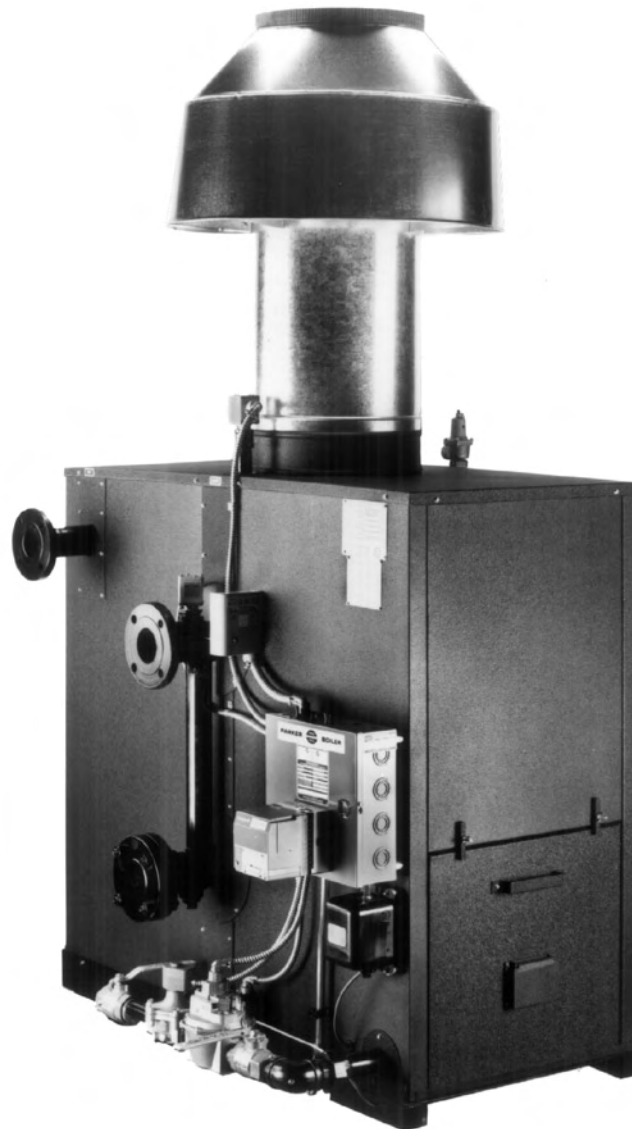
HIGH EFFICIENCY DIRECT FIRED HOT WATER BOILER

Atmospheric "R" Models
300,000 to 6,800,000 BTU Gas Fired

BENT STEEL TUBE CONSTRUCTION

Introducing a new line of Hot Water Boilers incorporating a built-in finned steel tube bundle in addition to the standard boiler tubes. These heavy duty finned tubes are placed above the standard Parker tubes, and they significantly increase the amount of heat absorbed from the flue gases, thus increasing boiler efficiency.

With the additional heating surface, the already long Parker Hot Water Boiler life is extended even further. The efficiency with Atmospheric Burner firing is 82%-85%, and with our Premix Metal Fiber Low NOx Burner the efficiency is 84%-86%. Test units have been in the field under harsh conditions operating successfully for 11 years.



201R Hot Water Boiler

High Efficiency
Direct Fired
Hot Water Boiler

300,000 to
6,800,000 BTU Input
Temperatures to 400°F
Pressures to 300 PSI



ADVANTAGES

1. Large Heating Surface

A large amount of heating surface provides increased efficiency, long boiler life and minimizes chances of scaling.

2. Simplicity

The design of the boiler and control system is such that the boiler can be easily operated, maintained and repaired by regular personnel. On atmospheric units simplicity is a decided advantage as there are no complicated controls, blowers, or burner air adjustments.

3. Codes

All Parker Direct Fired Boilers are manufactured in accordance with the ASME Power & Heating Boiler Codes and registered with the National Board of Boiler and Pressure Vessel Inspectors.

Natural gas and LPG fired models are ETL Listed "Industrial and Commercial Gas Fired Packaged Boilers" certified to UL795, for indoor or outdoor service. Canadian models are C-ETL Listed.

PARKER BOILER CO.
5930 Bandini Boulevard
Los Angeles, CA 90040
Tel (323) 727-9800
Fax (323) 722-2848
www.parkerboiler.com
BROCHURE 201R 0A9

"Never a Compromise for Quality or Safety"



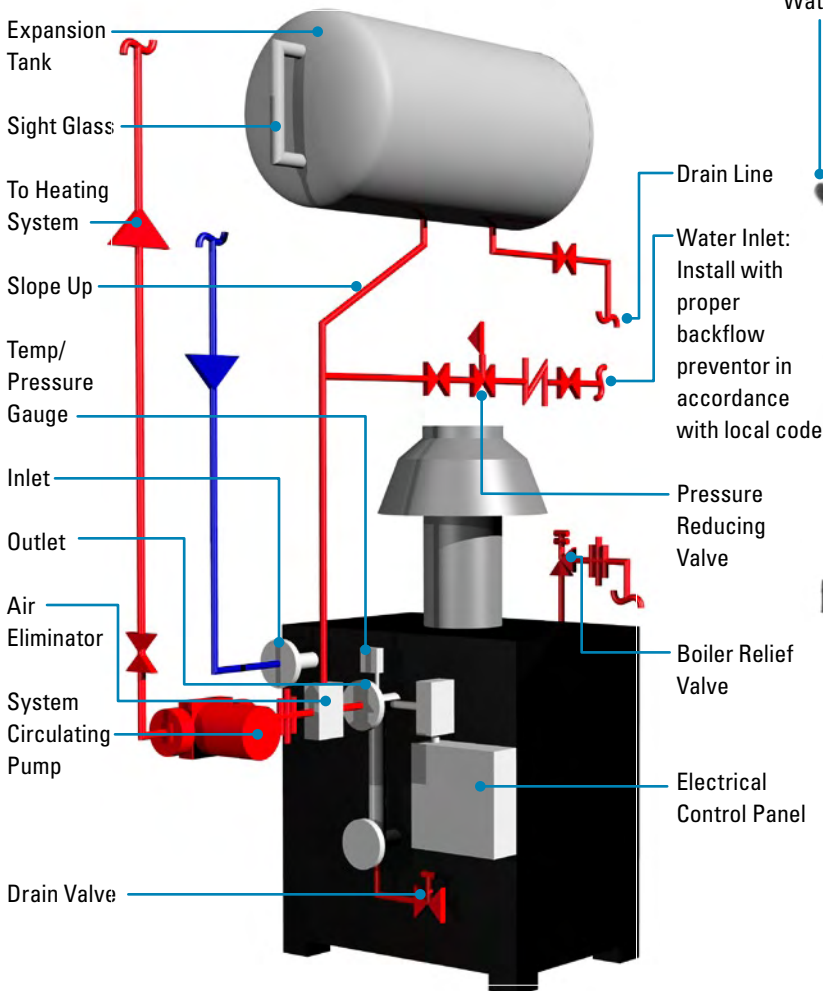
HIGH EFFICIENCY DIRECT FIRED HOT WATER BOILER

Atmospheric "R" Models

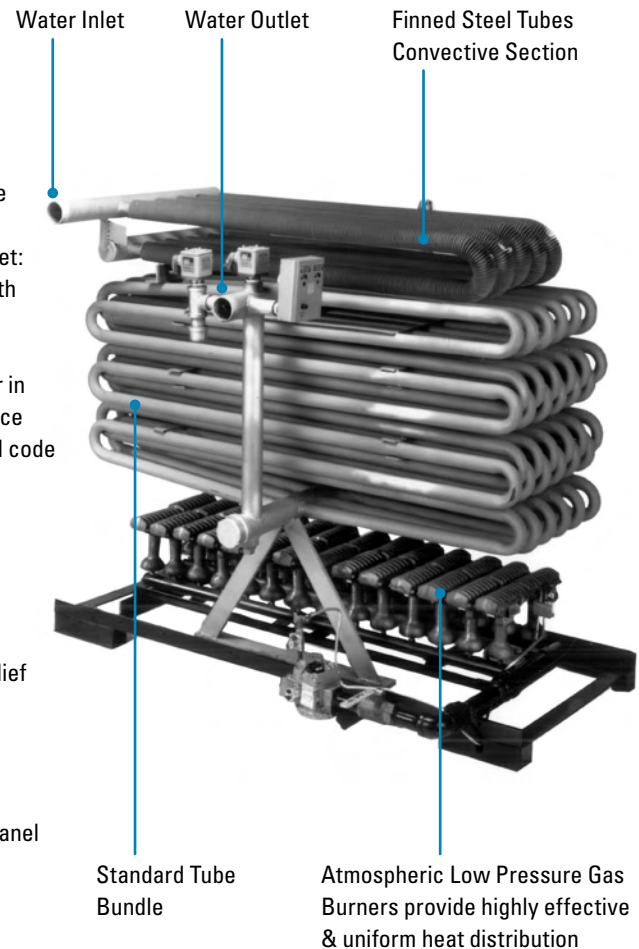
300,000 to 6,800,000 BTU Gas Fired



Typical Single Boiler Hot Water Piping System (for temperatures 200°F & below)



Parker Atmospheric "R" Model



4. Heavy Welded Flexible Tube Construction

The Parker steel tube bundle is 1-5/16" O.D. steel, over 1/8" heavy thickness, and the finned tubes are 1" O.D. (.11"), heavy thickness steel. The welded bent tube design permits free expansion and contraction of each tube independen-

tly when subject to thermal shocking. Our design eliminates strain on the metal, warping and leaking, typical of rigid straight tube designs. This construction utilizes heavy material with flexibility to provide extreme safety and long life.

5. Heavy Insulated Cabinet

The cabinet is durably constructed with two thicknesses of heavy steel, insulated on all sides with high temperature thermal fiber insulation to effectively reduce heat losses to a minimum.

THE PARKER DESIGN

A time proven product backed by one of the largest and most successful manufacturers of packaged boilers whose name is synonymous with quality and safety. Every boiler is thoroughly factory fire tested and is required to meet the highest standards in all phases of mechanical and operating efficiency before shipment.

PARKER BOILER CO.

5930 Bandini Boulevard
Los Angeles, CA 90040

Tel (323) 727-9800

Fax (323) 722-2848

www.parkerboiler.com

BROCHURE 201R 0A9



"Never a Compromise for Quality or Safety"